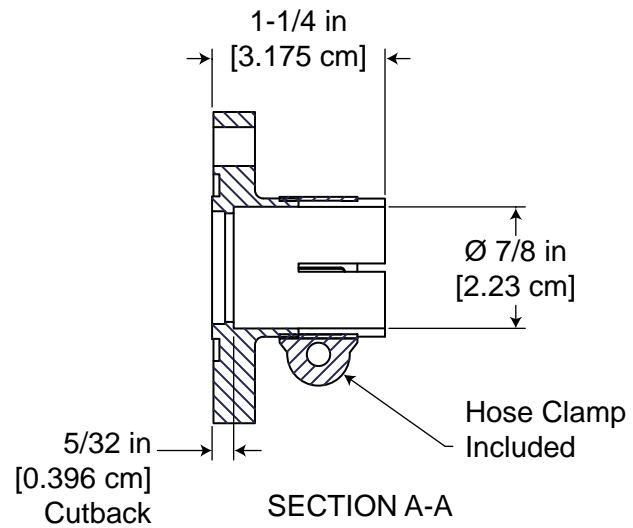
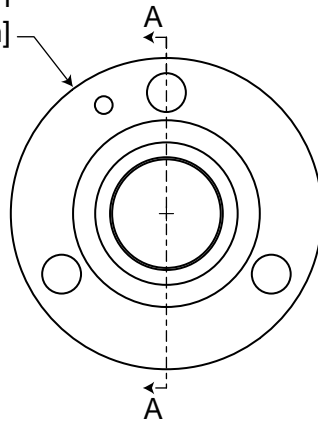


Ø 2-1/4 in
[Ø 5.715 cm]



Includes:
7/8 Hardware Kit (Part No. 078F-010)
7/8 O-Ring Kit (Part No. 078F-001)
Approx. Weight: 1/2 lb (0.23 kg)
Shipping Weight: 1 lb (0.45 kg)

7/8" Field Flange
Standard Cutback
Part No. 078F-901

Shively Labs®