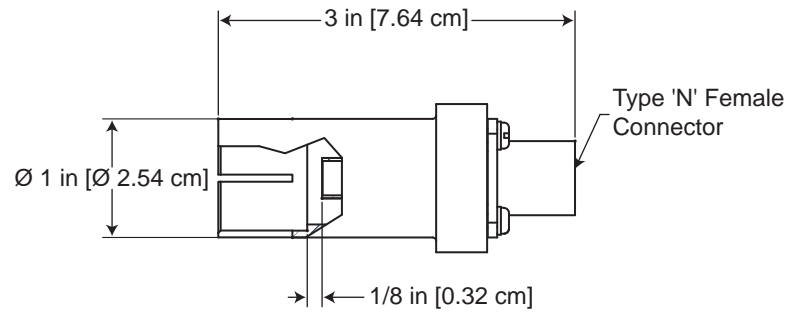
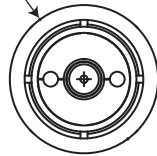


Ø 1-1/4 in [Ø 3.18 cm]



Includes:
7/8" Hose Clamp

078NF-60-A (Alum)
Approx. Weight: 1/4 lb (.11 kg)
Shipping Weight: 1-1/4 lb (.57 kg)

078NF-60-B (Brass)
Approx. Weight: 1/2 lb (.23 kg)
Shipping Weight: 1-1/2 lb (.68 kg)

7/8" Non Flange to Type 'N' Adapter
Part No. 078NF-601 (Alum)
Part No. 078NF-600 (Brass)

Shively Labs®