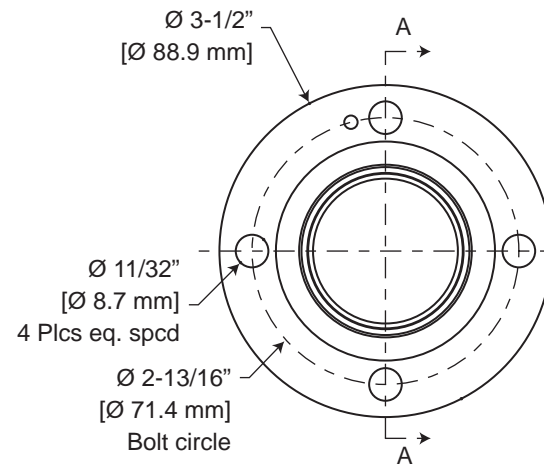


SECTION A-A



Includes:  
1-5/8" Hardware kit  
1-5/8" O-Ring kit  
Approx. weight: 1-1/2 lbs (0.7 kg)  
Shipping weight: 2 lbs (1.8 kg)

1-5/8" EIA fixed flange  
Welded or silver braze type  
Part no. 158F-925

**Shively Labs®**