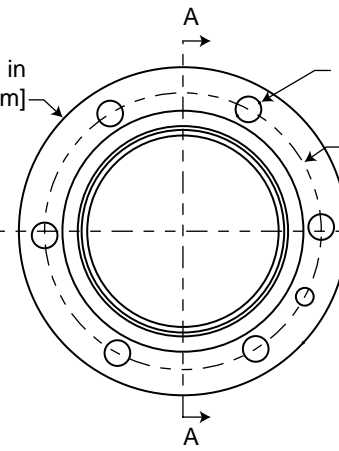


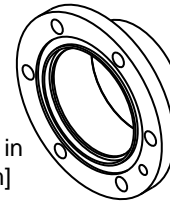
SECTION A-A

$\text{Ø } 5\text{-}3/16 \text{ in}$
[$\text{Ø } 13.176 \text{ cm}$]



6 x $\text{Ø } 13/32 \text{ in}$
[$\text{Ø } 1.031 \text{ cm}$]

$\text{Ø } 4\text{-}3/8 \text{ in}$ [$\text{Ø } 11.113 \text{ cm}$]
bolt circle



Includes:
 3-1/8" Hardware kit (Part no. 318F-010)
 3-1/8" O-ring (Part no. 318F-001)
 Approx. weight: 2.0 lb (0.91 kg)
 Shipping weight: 2.5 lb (1.13 kg)

3-1/8" Field flange, fixed,
 Standard cutback, EIA flange
 Part no. 318F-902

Shively Labs®