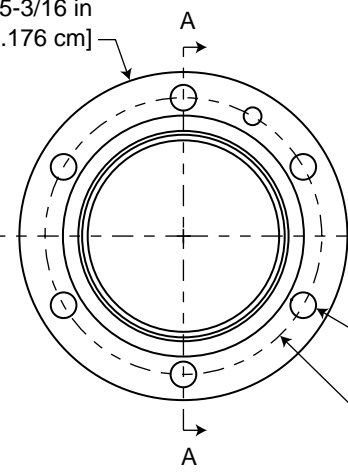


Ø 5-3/16 in
[Ø 13.176 cm]



6 x Ø 13/32 in
[Ø 1.031 cm]
Ø 4-3/8 in
[Ø 11.113 cm]
bolt circle

SECTION A-A

- Includes:
3-1/8" Hardware kit (Part no. 318F-010)
3-1/8" O-ring (Part no. 318F-001)
Approx. weight: 2 lb (0.91 kg)
Shipping weight: 2.5 lb (1.13 kg)

3-1/8" Fixed flange,
standard cutback
Part no. 318F-925

