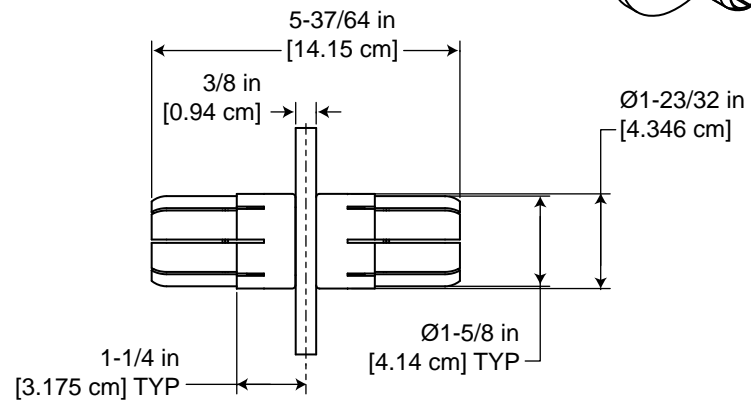
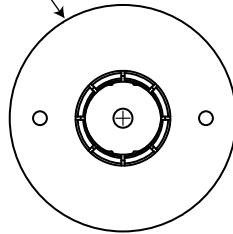


Ø4-3/32 in  
[Ø10.396 cm]



Approx. Weight: 2 lb [0.9 kg]  
Shipping Weight: 3 lb [1.36 kg]

4-1/16 Anchor connector with insulator  
Part no. 416F-501

**Shively Labs®**