

## Models 158NF-04MP and 158NF-04MP-2 Motorized Transfer Switches

Provides reliable switching of transmission line either locally or remotely.

### Features:

- Includes a manual override and visual position indicator.
- Works oriented in any position.
- 115 VAC (158NF-04MP) or 230 VAC (158NF-04MP-2)
- Extremely low loss.
- FM and VHF

### Specifications:

#### NOTE

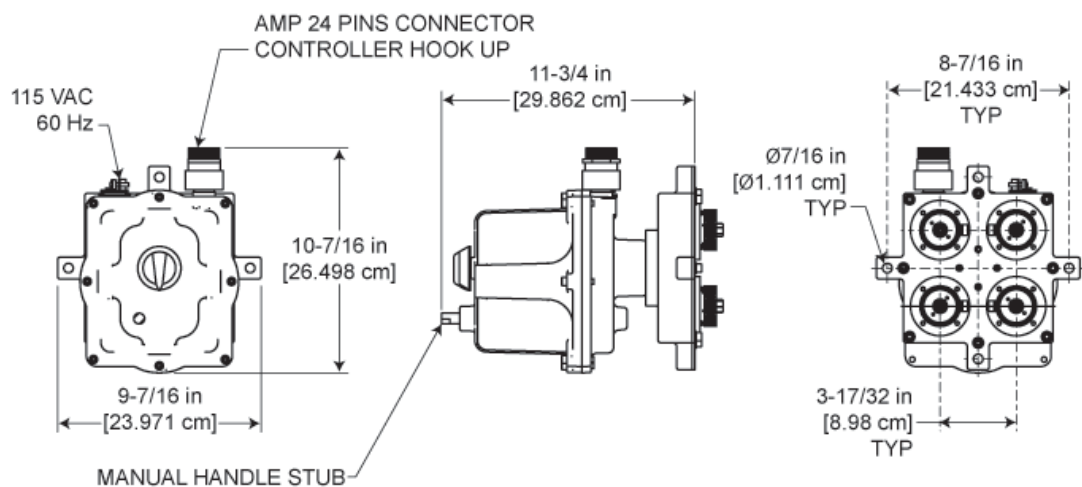
Power rating is comparable to 1-5/8" coax components. Please see technical bulletin "Coax Components Specifications" for power ratings at other frequencies. Unit is non-pressurized and must be derated for altitude.



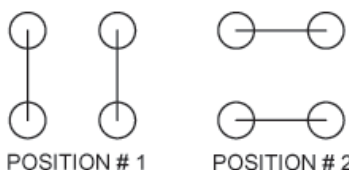
158NF-04MP

Model:	158NF-04MP	158NF-04MP-2
Ports:	4 x 1-5/8" non-flanged, male	
Power Rating:	15 kW average; 150 kW peak at 98 MHz (see note below)	
Impedance:	50 Ω	50 Ω
VSWR:	Less than 1.1:1 at 108 MHz	
Insertion Loss:	0.01 dB	0.01 dB
Isolation between non-connected ports:	-55 dB	-55 dB
Power Supply:	115 VAC, 1 Φ, 50/60 Hz	230 VAC, 1 Φ, 50/60 Hz
Nominal Switching Time:	3 seconds	3 seconds

### Dimensions:



#### SWITCH POSITIONS



Approx. Weight: 13 lb (5.9 kg)  
Shipping Weight: 15 lb (6.8 kg)

1-5/8" Non-flanged  
4-port motorized transfer switch  
(115 VAC) Part No. 158NF-04MP  
(230 VAC) Part No. 158NF-04MP-2

Document No. ds-158-04MP (150316)

A Division of Howell Laboratories, Inc., P. O. Box 389, Bridgton, Maine 04009 USA

(207) 647-3327

1-888-SHIVELY

Fax: (207) 647-8273

www.shively.com

sales@shively.com

An Employee-Owned Company

Certified to ISO-9001