

Data for Models 2530-3A-12 and 2530-3B-12 Three-Station Branched Combiners

Performance specifications

Type:	Resonant Cavity	
Size:	12"	
No. of Cavities per Station:	3	
Typical VSWR	at ± 100 kHz:	1.05:1
	at ± 150 kHz:	1.05:1
	at ± 200 kHz:	1.10:1
Typical Insertion Loss:	-0.33 dB	
Typical Frequency Response (deviation from center frequency)	at ± 100 kHz:	-0.04 dB
	at ± 150 kHz:	-0.08 dB
	at ± 200 kHz:	-0.10 dB
Typical Group Delay (deviation from center frequency)	at ± 100 kHz:	25 nsec
	at ± 150 kHz:	50 nsec
	at ± 200 kHz:	200 nsec
Typical Bandwidth:	± 200 kHz	
Spur Rejection, as close as 700 kHz or greater than 2 MHz:	Greater than 80 dB	

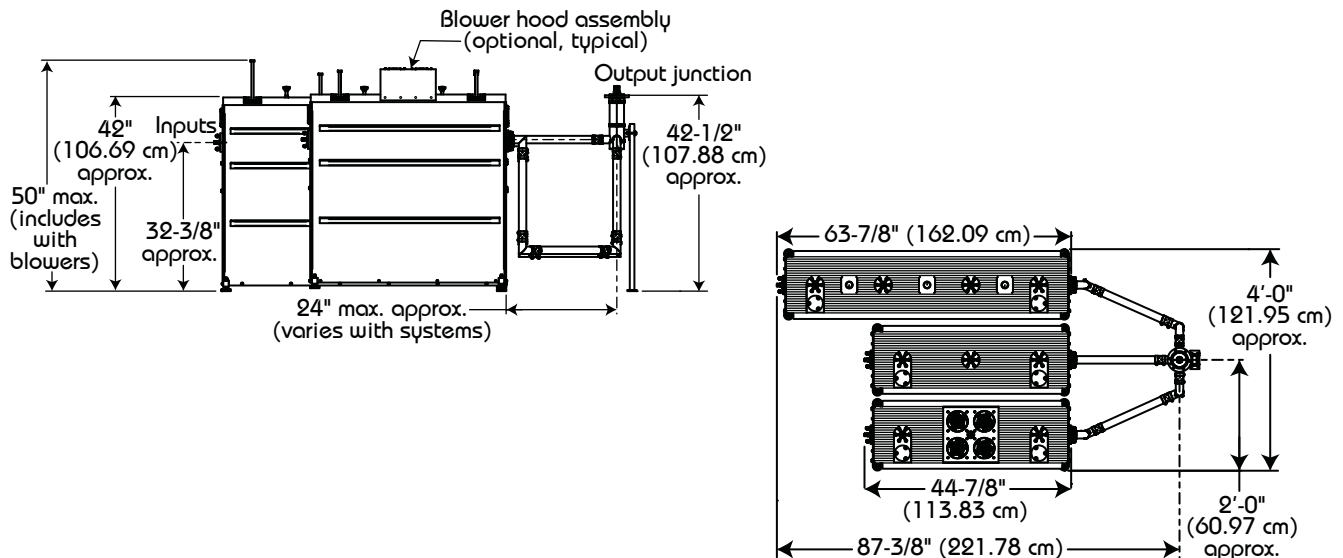
NOTE

Derate power handling for elevations above 3,000 ft above sea level. See technical bulletin "Effect of Altitude on Power Ratings."

Inputs, outputs, and weight:

	Model 2730-3A-12	Model 2730-3B-12
Maximum Input Power:	10 kW	15 kW
Cooling:	Convection	Forced Air
Inputs:	1-5/8" EIA	3-1/8" EIA
Outputs:	3-1/8" EIA	6-1/8" EIA
Shipping Weight:	725 lb (330 kg) as shown	765 lb (348 kg) as shown

Dimensions:



Document No. ds-2730-3-12 (170828)

A Division of Howell Laboratories, Inc., P. O. Box 389, Bridgton, Maine 04009 USA

(207) 647-3327

1-888-SHIVELY

Fax: (207)647-8273

An Employee-Owned Company

www.shively.com

sales@shively.com

Certified to ISO-9001