

Data for Models 2530-4A-24 and 2530-4B-24 Four-Station Branched Combiners

Performance specifications

		Model 2530-4A-24	Model 2530-4B-24
Type:	Resonant Cavity		
Maximum Input Power:	30 kW		50 kW
Size:	24"		
No. of Cavities per Station:	3		
Cooling:	Convection		Forced Air
Typical VSWR	at ± 100 kHz:	1.05:1	
	at ± 150 kHz:	1.05:1	
	at ± 200 kHz:	1.10:1	
Typical Insertion Loss:	-0.35 dB		
Typical Frequency Response (deviation from center frequency)	at ± 100 kHz:	-0.04 dB	
	at ± 150 kHz:	-0.08 dB	
	at ± 200 kHz:	-0.10 dB	
Typical Group Delay (deviation from center frequency)	at ± 100 kHz:	25 nsec	
	at ± 150 kHz:	50 nsec	
	at ± 200 kHz:	200 nsec	
Typical Bandwidth:	± 200 kHz		
Spur Rejection, 800 kHz or greater:	Greater than 80 dB		

Inputs, outputs, and weight:

	Model 2530-4A-24	Model 2530-4B-24
Inputs:	3-1/8" EIA	4-1/16"
Outputs:	3-1/8" EIA	6-1/8" EIA
Shipping Weight:	2060 lb (936 kg)	2260 lb (1027 kg)

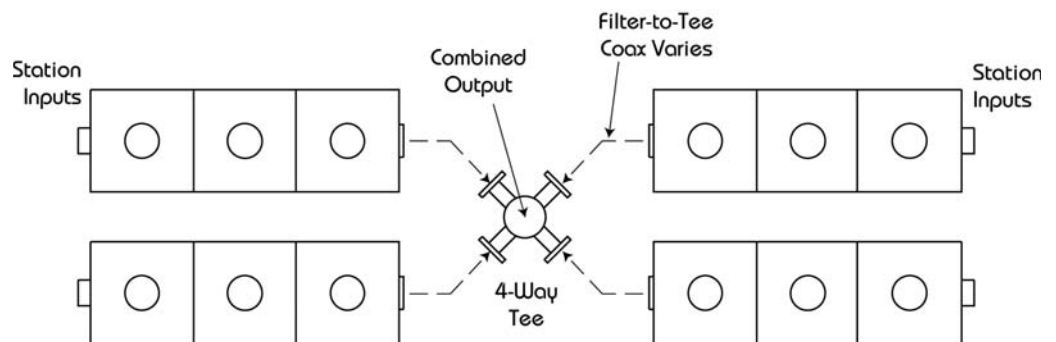
Layout:

NOTE

The layout will be a starpoint. Since the starpoint must be laid out specifically for the specific frequencies of the stations, actual installations will vary.

NOTE

Blowers for the forced-air-cooled units occupy a footprint of approximately 24" x 24" (51 x 51 cm). They must be located near the output end of the filter, but are not included in the length shown.



Document No. ds-2530-4-24 (150317)

A Division of Howell Laboratories, Inc., P. O. Box 389, Bridgton, Maine 04009 USA

(207) 647-3327

1-888-SHIVELY

Fax: (207)647-8273

An Employee-Owned Company

www.shively.com

sales@shively.com

Certified to ISO-9001