

## Data for Models 2630-2A-04 and 2630-3A-04 Low-Power Branched Combiners

### Performance specifications

Type:	Interdigital	
Size:	4"	
Cooling:	Convection	
No. of poles per station:	3	
Typical VSWR	at ± 100 kHz:	1.03:1
	at ± 150 kHz:	1.06:1
	at ± 200 kHz:	1.10:1
Typical insertion loss:	-0.55 dB	
Typical frequency response (deviation from center frequency)	at ± 100 kHz:	-0.04 dB
	at ± 150 kHz:	-0.08 dB
	at ± 200 kHz:	-0.10 dB
Typical group delay (deviation from center frequency)	at ± 100 kHz:	30 nsec
	at ± 150 kHz:	60 nsec
	at ± 200 kHz:	120 nsec
Typical bandwidth:	± 200 kHz	
Spur rejection, 800 kHz or greater:	Greater than 80 dB	



2630-2A-04 shown

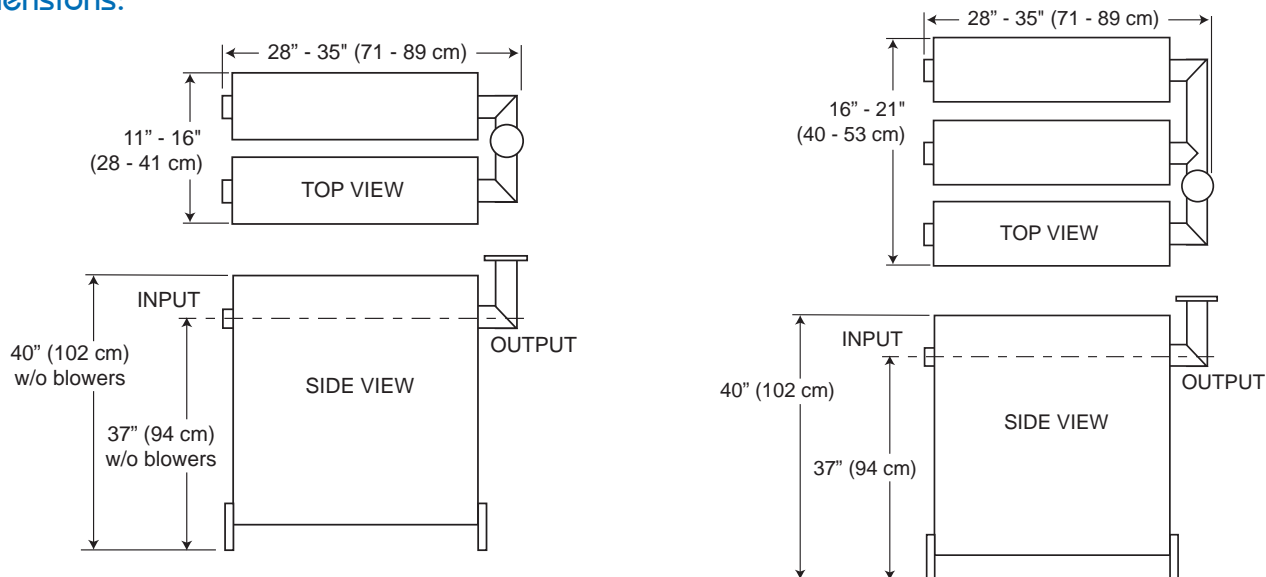
### Power rating:

	Model 2630-2A-04	Model 2630-3A-04
No of stations:	2	3
Maximum input power, per station:	2.5 kW	2.5 kW

### Inputs, outputs, and weight:

Inputs:	7/8" EIA	7/8" EIA
Outputs:	7/8" EIA	1-5/8" EIA
Shipping weight:	200 lb (91 kg)	300 lb (136 kg)

### Dimensions:



Document No. ds-2630-04 (150317)

A Division of Howell Laboratories, Inc., P. O. Box 389, Bridgton, Maine 04009 USA

(207) 647-3327

1-888-SHIVELY

Fax: (207)647-8273

An Employee-Owned Company

www.shively.com

sales@shively.com

Certified to ISO-9001