

Data for Models 2640-04-1/1 and 2640-04-1/3 Balanced Combiner Module

Performance specifications:

| | | |
|--|--------------------|----------|
| Type: | Interdigital | |
| Size: | 4" | |
| No. of cavities per filter: | 3 | |
| Typical VSWR | at ± 100 kHz: | 1.04:1 |
| | at ± 150 kHz: | 1.04:1 |
| | at ± 200 kHz: | 1.06:1 |
| Typical insertion loss: | -0.30 dB | |
| Typical frequency response (deviation from center frequency) | at ± 100 kHz: | -0.01 dB |
| | at ± 150 kHz: | -0.02 dB |
| | at ± 200 kHz: | -0.05 dB |
| Typical group delay (deviation from center frequency) | at ± 100 kHz: | 25 nsec |
| | at ± 150 kHz: | 50 nsec |
| | at ± 200 kHz: | 120 nsec |
| Typical bandwidth: | ± 200 kHz | |
| Spur rejection, ± 800 kHz or greater: | Greater than 80 dB | |



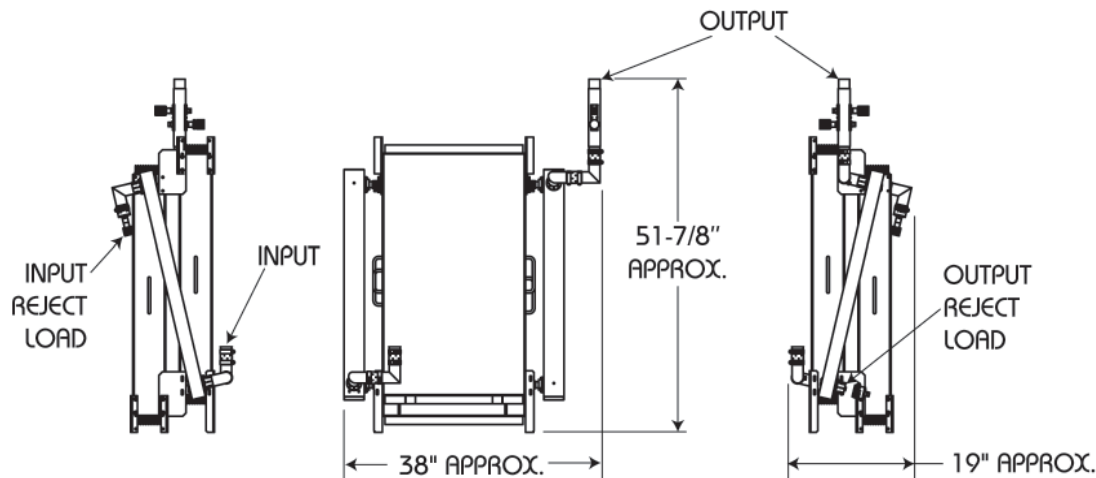
Similar Model 2640-06-3A with its designer, Alan Plummer

Inputs, outputs, and weight:

| | | 2640-04-1/1 | 2640-04-1/3 |
|--------------------------------------|---------|-----------------------------|-------------|
| Input connection: | | 1-5/8" EIA (7/8" available) | |
| Input hybrid: | | 1-5/8" EIA | |
| Output connection: | | 1-5/8" EIA | 3-1/8" EIA |
| Output hybrid: | | 1-5/8" EIA | 3-1/8" EIA |
| Maximum narrowband input power: | | 5 kW | |
| Maximum power through output hybrid: | Average | 15 kW | 40 kW |
| | Peak | TBD | 440 kW |
| Shipping weight: | | 300 lb (136 kg) est. | |

Dimensions:

NOTE
Dimensions shown are from a recent unit. Other configurations are available.



Document No. ds-2640-04 (150317)

A Division of Howell Laboratories, Inc., P. O. Box 389, Bridgton, Maine 04009 USA
 (207) 647-3327 1-888-SHIVELY Fax: (207)647-8273
 An Employee-Owned Company

www.shively.com
 sales@shively.com
 Certified to ISO-9001