

## Typical Data for Models 2712-2A and 2712-2B Bandpass Filters

### Performance Specifications

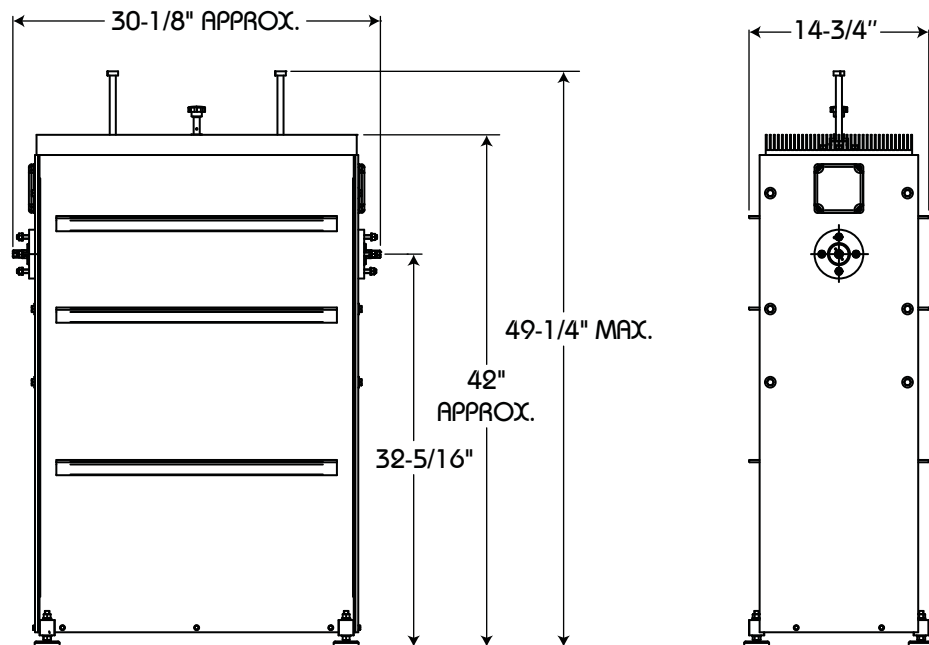
Type:	Resonant Cavity	
Cavity size:	12"	
No. of cavities:	2	
Typical VSWR	at $F_0$ :	1.05:1
	at $\pm 200$ kHz:	1.10:1
Typical insertion loss:	$\approx -0.23$ dB	
Typical frequency response (deviation from center frequency)	at $\pm 100$ kHz:	-0.04 dB
	at $\pm 150$ kHz:	-0.08 dB
	at $\pm 200$ kHz:	-0.10 dB
Typical group delay (deviation from center frequency)	at $\pm 100$ kHz:	20 nsec
	at $\pm 150$ kHz:	40 nsec
	at $\pm 200$ kHz:	150 nsec
Typical bandwidth:	$\pm 200$ kHz	

### Inputs, Outputs, and Weight:

	Model 2712-2A	Model 2712-2B
Maximum input power:	10 kW	15 kW
Inputs:	1-5/8" EIA	1-5/8" EIA
Outputs:	1-5/8" EIA	1-5/8" EIA
Cooling:	Convection	Forced Air
Shipping weight:	175-200 lb (80-91 kg)	195-220 lb (89-100 kg)

Other options available; contact the factory.

### Dimensions:



Document No. ds-2712-2 (170811)