

Data for 12-Inch Balanced Combiner Modules

Includes Models 2740-12-1/3, 2740-12-1/4, 2740-12-3/3, 2740-12-3/4

Performance specifications

Type:	Resonant Cavity			
Size:	12"			
No. of cavities per filter:	2	3	4	
Typical VSWR	at ± 100 kHz:	1.04:1		
	at ± 150 kHz:	1.04:1		
	at ± 200 kHz:	1.08:1		
Typical insertion loss:	-0.20 dB	-0.25 dB	-0.35 dB	
Typical frequency response (deviation from center frequency)	at ± 100 kHz:	-0.01 dB		
	at ± 150 kHz:	-0.02 dB		
	at ± 200 kHz:	-0.05 dB		
Typical group delay (deviation from center frequency)	at ± 100 kHz:	30 nsec		
	at ± 150 kHz:	50 nsec		
	at ± 200 kHz:	150 nsec		
Typical bandwidth:	± 200 kHz			
Spur rejection, > 80 dB:	2.0 MHz	1.2 MHz	0.8 MHz	

Power ratings:

		2740-12-1/3	2740-12-1/4	2740-12-3/3	2740-12-3/4
Maximum filter input power:		15 kW		20 kW	
Maximum power through output hybrid:	Average	40 kW	80 kW	40 kW	80 kW
	Peak	440 kW	700 kW	440 kW	700 kW

Inputs, outputs, and weight:

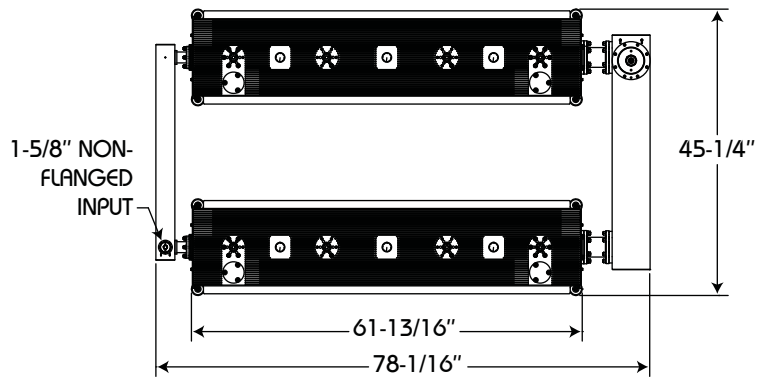
		2740-12-1/3	2740-12-1/4	2740-12-3/3	2740-12-3/4
Input connection:		1-5/8" EIA		3-1/8" EIA	
Input hybrid:		1-5/8" EIA		3-1/8" EIA	
Output connection:		3-1/8" EIA	4-1/16"	3-1/8" EIA	4-1/16"
Output hybrid:		3-1/8" EIA	4-1/16"	3-1/8" EIA	4-1/16"
Shipping weight,	4-cavity:	760 lb (345 kg)	810 lb (368 kg)	700 lb (318 kg)	750 lb (341 kg)
	3-cavity:	560 lb (255 kg)	610 lb (277 kg)	580 lb (264 kg)	630 lb (286 kg)
	2-cavity:	400 lb (182 kg)	450 lb (205 kg)	420 lb (191 kg)	470 lb (214 kg)

Document No. ds-2740-12 (170614)

A Division of Howell Laboratories, Inc., P. O. Box 389, Bridgton, Maine 04009 USA
 (207) 647-3327 1-888-SHIVELY Fax: (207)647-8273
 An Employee-Owned Company

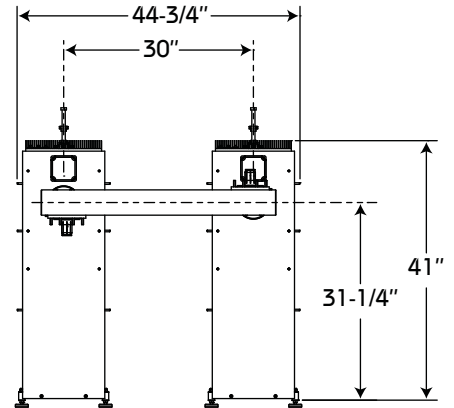
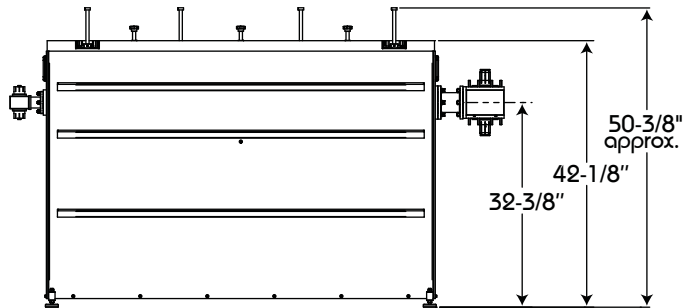
www.shively.com
 sales@shively.com
 Certified to ISO-9001

Dimensions:



Full weight approx. = 465 lb.
2712-4A-1-3 = 220 lb. ea. approx.

1-5/8" square hybrid = 8 lb. approx.
3-1/8" square hybrid = 15 lb. approx.



2740-1-3 Balanced Module Assembly

NOTE

Module includes a 1-5/8" or 3-1/8" precision input directional coupler as standard equipment.