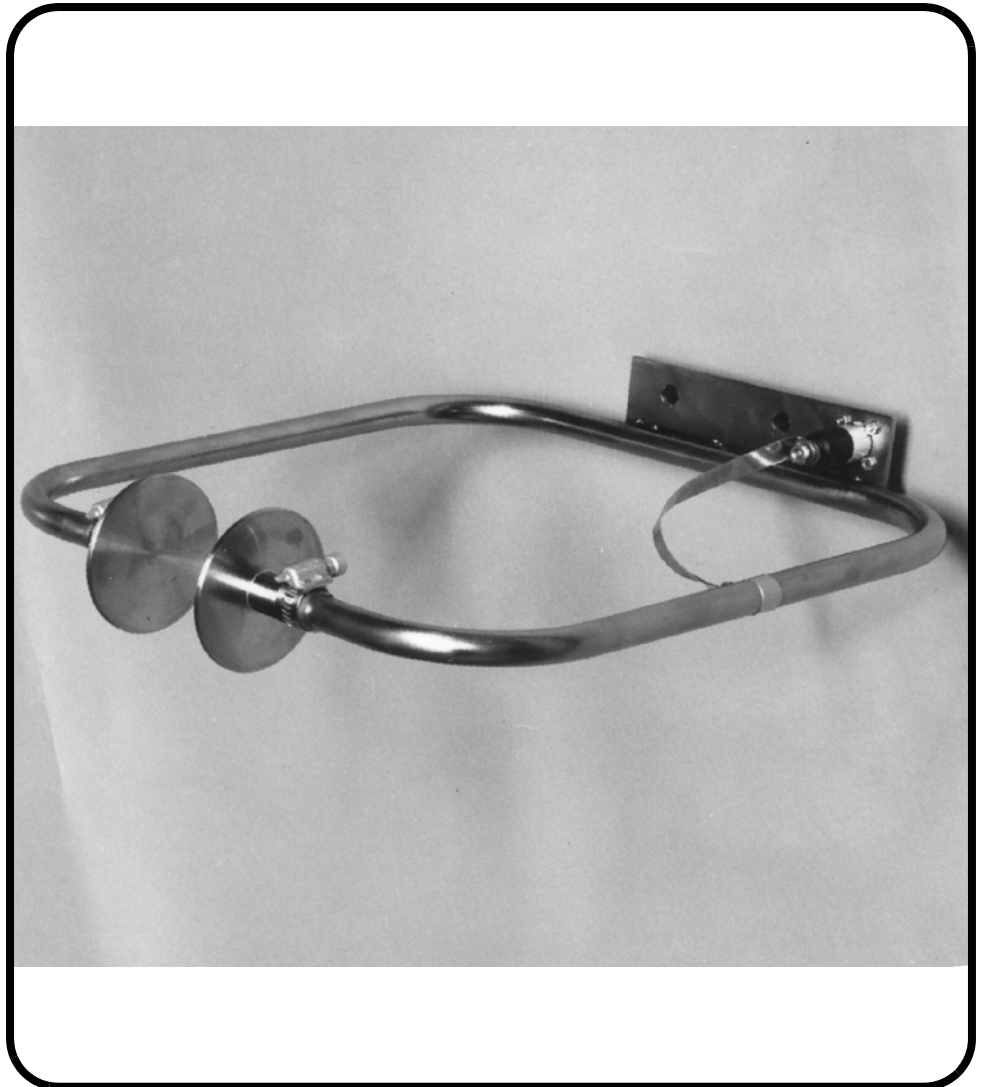


**Shively Labs<sup>®</sup>**

# Horizontally Polarized FM Broadcast Antenna

Model 6602B



Instruction Manual  
Installation, Operation, &  
Maintenance

---

## Congratulations!

Thank you for purchasing one of the finest FM broadcast antennas on the market today. The Shively Labs Model 6602B is widely recognized as the top-of-the-line in its class for its superior performance and durability.

Your purchase is backed by the best technical support in the industry. Shively is a leading manufacturer in the broadcast industry, providing an extensive range of antennas, filters, transmission line and components. Our technical staff has a wealth of experience in the broadcast industry and is standing by to serve you in any way.

This manual is intended to give you a basic understanding of your antenna: its proper and safe installation, startup, and operation, and troubleshooting and maintenance information to keep it working satisfactorily for years to come. *Please have everyone involved with the antenna read this manual carefully, and keep it handy for future reference.*

Meanwhile, please feel free to contact your sales representative at Shively Labs at any time if you need information or help. Call or write:

# Shively Labs®

A Division of Howell Laboratories, Inc.

Bridgton, Maine 04009 USA

188 Harrison Rd., P. O. Box 389, Bridgton, Maine 04009 USA

(207) 647-3327

1-888-SHIVELY

24-hour (207) 329-5118

FAX (207) 647-8273

sales@shively.com

www.shively.com

An Employee-Owned Company

ISO 9001 Certified

Publication No. im-6602B (150520)

---

**IMPORTANT**

**Please read this manual in its entirety before beginning installation of your antenna!**

**Failure to follow the installation and operation instructions in this manual could lead to failure of your equipment and might even void your warranty!**



---

## Table of Contents

<b>Chapter 1 Precautions and Preparation .....</b>	<b>1</b>
Precautions.....	1
Before beginning installation .....	1
Storage prior to installation .....	1
Check the System.....	1
<b>Chapter 2 Antenna Installation.....</b>	<b>3</b>
Precautions.....	3
Installing the support pipe .....	3
Side-mounted support pipe .....	3
<i>Figure 1 Support pipe installation .....</i>	<i>3</i>
<i>Table 1 Side-mounted support pipe standoff from tower .....</i>	<i>3</i>
Top-mounted support pipe.....	4
Installing the radiators.....	4
<i>Figure 2 Formed mount channel.....</i>	<i>4</i>
Installation procedure.....	4
<i>Figure 3 Installation of radiator without radome, exploded view.....</i>	<i>5</i>
<i>Figure 4 Installation of radiator with radome, exploded view .....</i>	<i>5</i>
Installing the interbay cable harness.....	6
<i>Figure 5 Wrapping and securing the interbay cables .....</i>	<i>6</i>
<i>Figure 6 Proper and improper application of splicing tape.....</i>	<i>7</i>
<b>Chapter 3 Installing the De-Icer System (if applicable) .....</b>	<b>9</b>
Precautions.....	9
De-icer system description .....	9
Dual-setting thermostat .....	9
Electric power .....	9
<i>Figure 7 De-Icer electrical schematic diagram.....</i>	<i>10</i>
<i>Table 2 De-Icer specifications .....</i>	<i>11</i>
De-icer installation .....	11
Installing the de-icer harness .....	11
<i>Figure 8 Bay junction box installation.....</i>	<i>12</i>
Installing the thermostat (if applicable).....	12
<i>Table 3 Thermostat readings.....</i>	<i>13</i>
<b>Chapter 4 Startup and Operation .....</b>	<b>15</b>
Precautions.....	15
The antenna .....	15
System sweep (recommended) .....	15
Checkout .....	15
Operation .....	15
The de-icer system.....	16
Shively Labs de-icer control system .....	16

---

## Table of Contents

<b>Chapter 5 Maintenance and Troubleshooting .....</b>	<b>17</b>
Precautions.....	17
Maintenance log.....	17
Physical inspection .....	17
Paint .....	17
Radome removal and reinstallation.....	17
Return policy .....	18
Troubleshooting .....	18
Internal arcing .....	18
Broad spectrum RF noise .....	18
High VSWR at startup or during operation.....	18
Change in coverage.....	18
Sample maintenance log.....	20

# 1

## Precautions and Preparation

---

### Precautions

#### **WARNING**

Don't expose personnel to the medical hazards of intense radio frequency (RF) radiation. Whenever working on the tower in the area of the antenna, turn off all transmitters and lock them out so that they cannot be turned on accidentally.

For reference on RF safety, see CFR 29, Section 1910.97, the OSHA standard for exposure to non-ionizing radiation.

---

### Before beginning installation

#### Storage prior to installation

Keep the antenna system dry. Never store it outdoors. If the antenna gets wet, you will need to dry it before applying transmitter power.

#### Check the System

#### **CAUTION**

*It is YOUR responsibility to ensure that your installation meets all applicable codes and the centerline-of-radiation requirements of your FCC construction permit.*

Check the parts to be sure that they will fit the support pipe. Have a reliable tower person, familiar with antennas and coaxial line, inspect the tower and review the installation drawings before the full rigging crew arrives. If design problems are found, contact Shively Labs immediately.

Pay particular attention to:

- Frequency of the antenna.
- Freedom from interference by gussets, leg flanges, guy wires and their attachment points, tower face members, obstruction lights, and other components.
- Compatibility of coax connectors and antenna input terminals.
- Use of non-metallic guy sections on the tower in the region to be occupied by the FM antenna. Ensure that there are no metal guy wires within ten feet (three meters) of any radiator.
- Proper electrical service for antenna deicers, if applicable.
- The adequacy of the tower structure and guy wires to carry the windload placed upon them by the antenna, particularly if radomes are used.





Precautions

**WARNING**

Don't expose personnel to the medical hazards of intense radio frequency (RF) radiation. Whenever working on the tower in the area of the antenna, turn off all transmitters and lock them out so that they cannot be turned on accidentally.

Installing the support pipe

The 6602B antenna is designed to mount on a customer-supplied vertical pipe, which in turn is mounted on the tower. Mounting is a little different for side-mounted poles and top-mounted poles.

The pipe must be between 2-3/8" and 3-1/2" (60 and 89 mm) nominal outside diameter. It must extend at least five feet (1500 mm) above the top bay and five feet below the bottom bay.

**NOTE**

Shively can accommodate other pipe sizes if necessary by special order.

Side-mounted support pipe

Mount your support pipe securely as shown in [Figure 1](#). It must stand off from the tower as described in [Table 1](#).

Figure 1. Support pipe installation

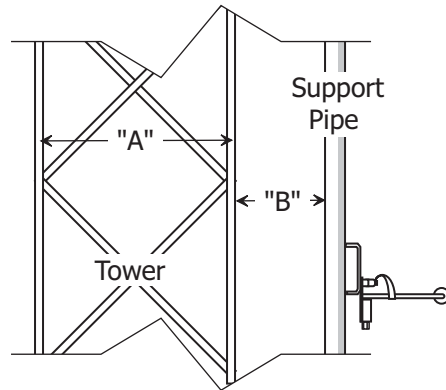


Table 1. Side-mounted support pipe standoff from tower

Tower Face "A"	Standoff "B"
less than 24" (610 mm)	12" (305 mm)
24" - 60" (610 - 1500 mm)	24" (610 mm)
over 60" (1500 mm)	36" (915 mm)

Follow these guidelines:

- To ensure good electrical contact between the support pipe and the tower, remove the tower paint and any rust at the support pipe mount locations before installing the mounts. After installing the mounts, be sure to touch up the paint where you removed it.
- Starting at the top of the support pipe, mark the location of each bay in accordance with the installation drawing.
- Also, mark the specified location of any accessory mounts (eg: de-icer box mounts), to make sure they will fit as planned.

**Important**  
 Improper antenna mounting is a leading cause of poor performance in 6812B antennas. It is very important to install the antenna as indicated and to position it away from other metallic structures.

**CAUTION**  
 If you don't get good electrical contact between the mounts, the support pipe, and the tower, the antenna may not perform as designed and may produce stray signals that will interfere with other services on the tower.

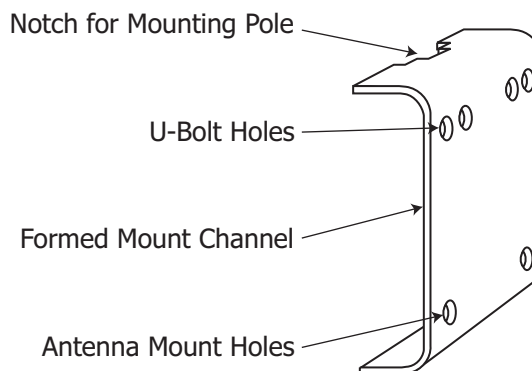
### Top-mounted support pipe

If your support pipe is mounted on top of a tower or building, locate the antenna with at least ten feet (3.1 m) of vertical clearance between the bottom antenna bay and the top of the tower or building. Then mount the pipe in accordance with the guidelines above.

### Installing the radiators

Radiators are mounted to the support pipe by means of formed mount channels (Figure 2). One formed mount channel is required for each bay without radomes (Figure 3 on page 5); two channels for a bay with radomes (Figure 4 on page 5).

Figure 2. Formed mount channel



#### Important!

Feedstrap orientation is critical to performance. In general, all the feedstraps in a full-wave-spaced antenna will be oriented the same, while those in a half-wave-spaced antenna will alternate. *Install each radiator in accordance with its stenciled bay numbers and its "up-arrow" sticker.*

Also, be very careful not to disturb or damage the feed strap when handling the radiator.

#### CAUTION

Radiators are stenciled with their respective bay numbers (bay #1 is the topmost bay). Install the radiators in accordance with their match-markings. If you don't, the antenna may not perform as expected.

#### NOTE

Radomes are pre-installed and need not be removed for installation.

### Installation procedure

- Remove any paint or corrosion on the support pipe where the formed mount channel will be located, to ensure good electrical contact.
- Locate radiator #1 at the topmost mark you made on the support pipe. Using the U-bolt, nuts, and washers, clamp the formed mount channel and the radiator assembly to the support pipe, as shown in Figure 3 on page 5 or Figure 4 on page 5.
- Mount the radiators to the support pipe by means of formed mount channels (Figure 4 on page 5). Two formed channels are required for each bay.
- Repeat for the remaining radiators, ensuring they are in the proper sequence and oriented correctly per the installation drawing.

## Antenna Installation

Figure 3. Installation of radiator without radome, exploded view

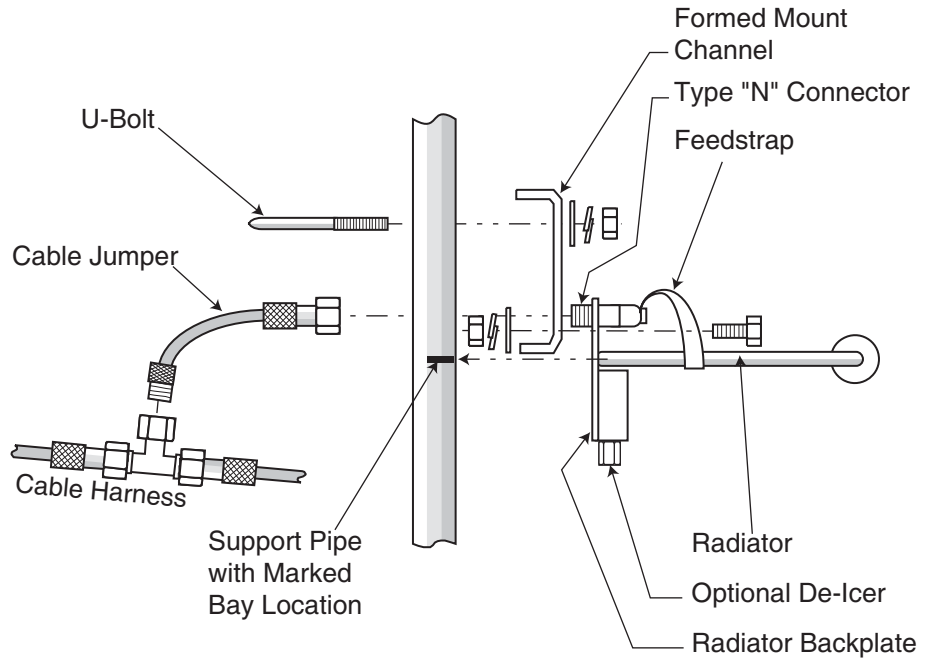
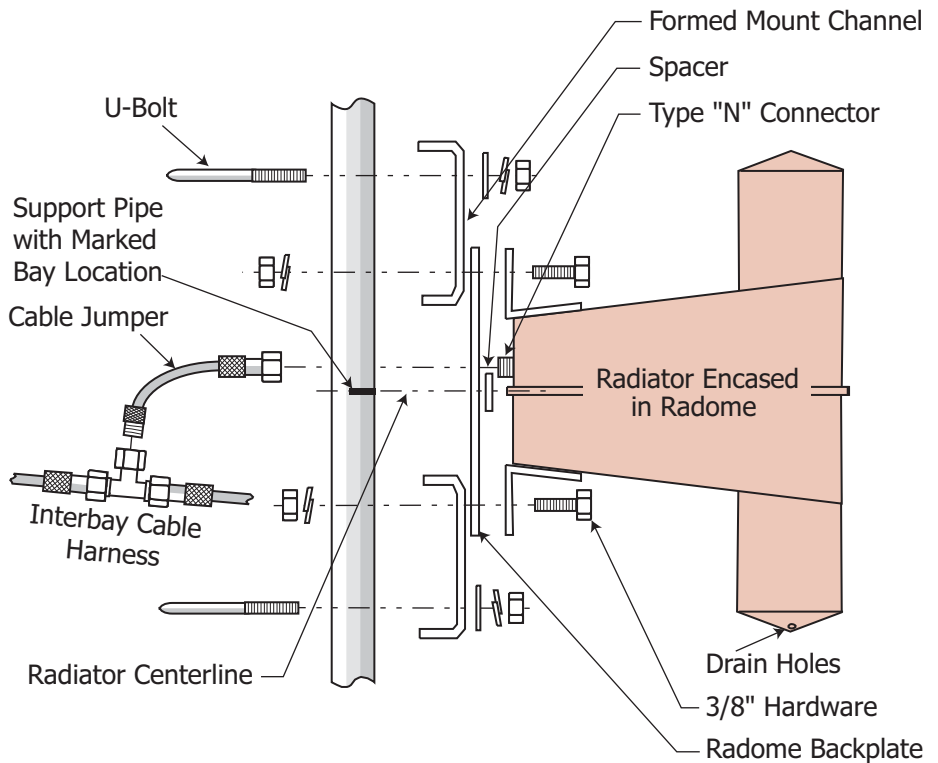


Figure 4. Installation of radiator with radome, exploded view



- e. Sight vertically along the installation to ensure the radiators are aligned before finally securing them to the support pipe.
- f. Touch up the paint on the support pipe as necessary to protect from corrosion.

## Installing the interbay cable harness

### CAUTION

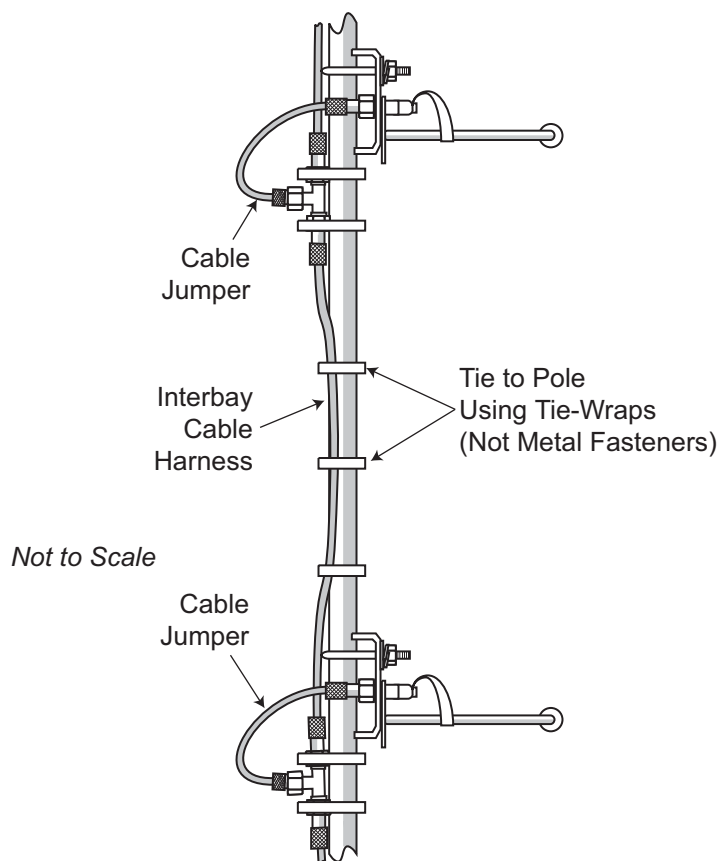
Tighten the connector nuts finger-tight only. Using pliers or other mechanical means to tighten the connectors may damage them.

### CAUTION

The minimum bend radius of the RF cable is 1 inch (25.4 mm).

- a. Locate the end of the harness that is marked "Bay 1." Attach that end to radiator #1, using one of the cable jumpers.
- b. The rest of the harness should naturally fall into place. Using cable jumpers, attach the interbay cable harness to the remaining radiators, as shown in [Figure 5](#) on page 6.

Figure 5. Wrapping and securing the interbay cables



### CAUTION

Do not use metal ties, which can damage the cable.

- c. Fasten the feedline to the pipe with the tie-wraps provided.

### CAUTION

If splicing tape is not applied correctly, water can get into the coax connections and affect the performance and reliability of your antenna.

- d. Make sure the fittings and coax are clean and dry. Apply Scotch 130C Linerless Rubber Splicing Tape with the tacky side up (see [Figure 6](#) on page 7).

## Antenna Installation

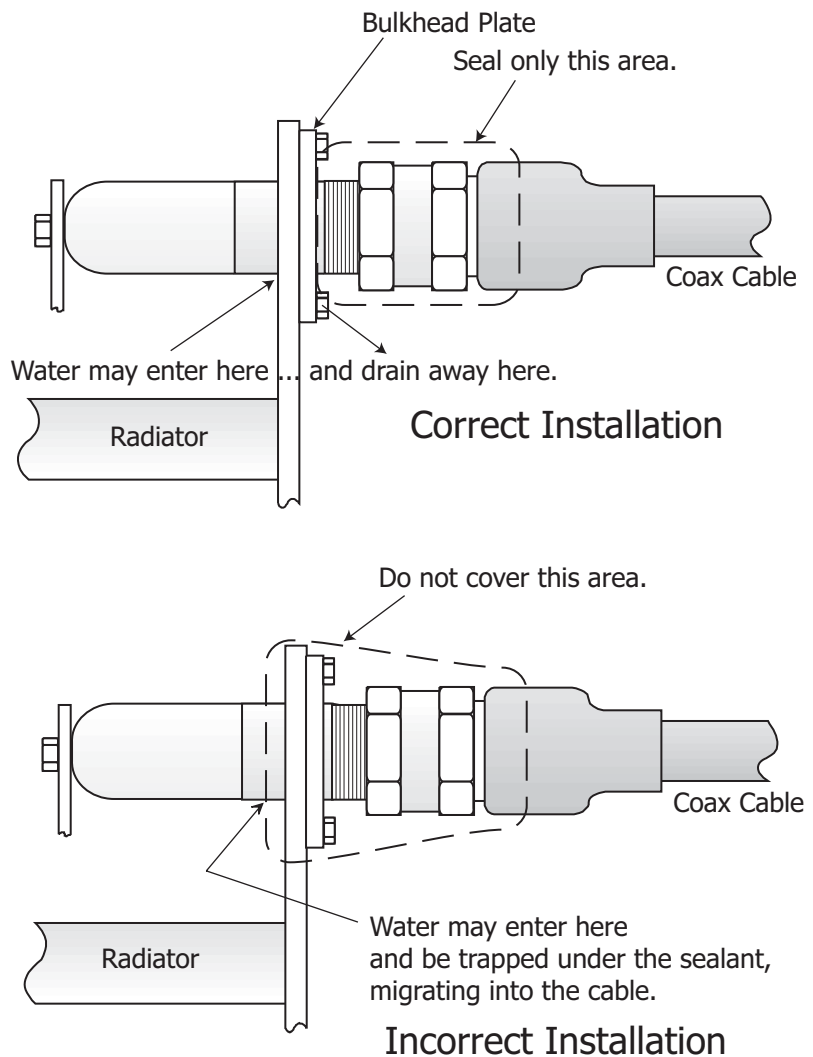
- e. Stretch tape and apply half-lapped to form a smooth, void-free splice. Wrap tightly in and around the area where the connection is made. Make sure the joint is fully covered, but do not seal up against the bulkhead plate.
- f. Inspect the connection carefully, ensuring that the joint is fully sealed. If more splicing tape is needed, simply add it to the existing wrap. It adheres well to itself.

### CAUTION

To prevent damage, secure all coax to minimize wind-induced motion and chafing.

- g. Tie all coax to the mounting pipe to prevent it from damage.

Figure 6. Proper and improper application of splicing tape





## 3 Installing the De-Icer System (if applicable)

### Precautions

**WARNING**

Installation should be performed only by personnel experienced in RF systems, qualified in electrical work, and familiar with this equipment.

**WARNING**

Don't expose personnel to the medical hazards of intense radio frequency (RF) radiation. Whenever working on the tower in the area of the antenna, turn off all transmitters and lock them out so that they cannot be turned on accidentally.

**CAUTION**

All parts of the de-icer system within approximately 20 feet (6 meters) of any radiator must be shielded from RF energy, and the entire outdoor portion of the system must be made waterproof.

**CAUTION**

An improperly installed de-icer can overheat and damage your antenna.

### De-icer system description

The de-icer system consists of the heating elements in the bays, their branch cables, and the main harness. The main harness consists of a bay junction box for each antenna bay, interbay cables, and a "pigtail" of wires about 10 feet (3 meters) long which you will connect to the tower junction box you are to provide. The following will help in installation:

- System electrical schematic: [Figure 7](#) on page 10.
- Electrical specifications: [Table 2](#) on page 11.
- Bay junction box: [Figure 8](#) on page 12.
- Thermostat readings: [Table 3](#) on page 13.

Your system may also include specially-ordered items, such as a ground-mounted main control box, a power cable extending up the tower, or a tower-mounted dual-setting thermostat.

### Dual-setting thermostat

**CAUTION**

Remember that conditions may be favorable for icing on the tower, even if they are not on the ground.

Shively Labs deicers are designed to prevent ice from forming on antenna elements and are not designed to melt ice that has already formed. For this reason, Shively Labs recommends that the system be installed with a tower-mounted dual-setting thermostat assembly (Shively Labs Model 55522-G502) and de-icer control box (Shively Labs Model 94068) that ensure the deicers are operated in the temperature range ice is most likely to form.

### Electric power

The de-icer system requires 220 VAC, 50 - 60 Hz., single-phase. [Table 2](#) shows approximate heater leg resistances and current draw, respectively.

## Installing the De-Icer System (if applicable)

Figure 7. De-Icer electrical schematic diagram

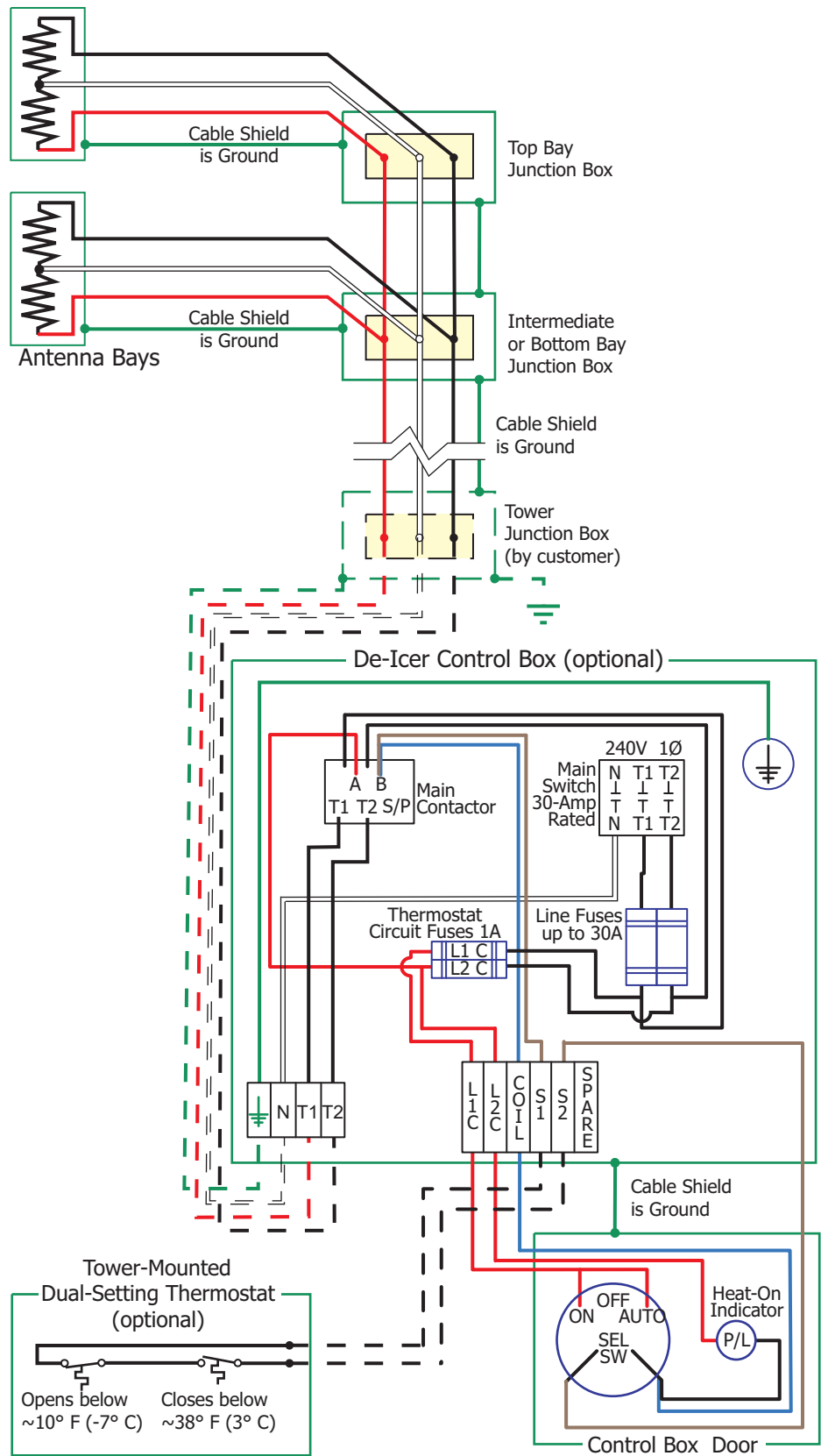




Table 2. De-Icer specifications

	Heater Leg Resistance, $\Omega$	Heater Leg (T1 or T2) Current Draw, amps
1-Bay	203	0.6
2-Bay	101	1.2
3-Bay	68	1.8
4-Bay	51	2.4
5-Bay	41	3.0
6-Bay	34	3.6
7-Bay	29	4.1
8-Bay, single circuit	25	4.7
10-Bay, single circuit	20	5.9
12-Bay, single circuit	17	7.1
14-Bay, single circuit	14	8.3
16-Bay, single circuit	13	9.5

## De-icer installation

### Installing the de-icer harness

- a. Install the main de-icer harness with its bay junction boxes as shown in [Figure 7](#) on page 10 and [Figure 8](#) on page 12. Connect the leads from each bay's de-icer pigtail to the main harness in that bay's junction box as shown.

#### CAUTION

It is important to ground both the tower junction box and the control box, as shown in the schematic diagrams.

- b. Furnish a tower junction box as shown schematically in [Figure 7](#) to connect the antenna's de-icer harness to the main power.
- c. Using tie-wraps, secure the entire length of the de-icer harness to the RF feedline at about 24" (60 cm) intervals. Run the ten-foot de-icer pigtail along a feedline mount to the tower junction box and secure it to the mount and the tower.

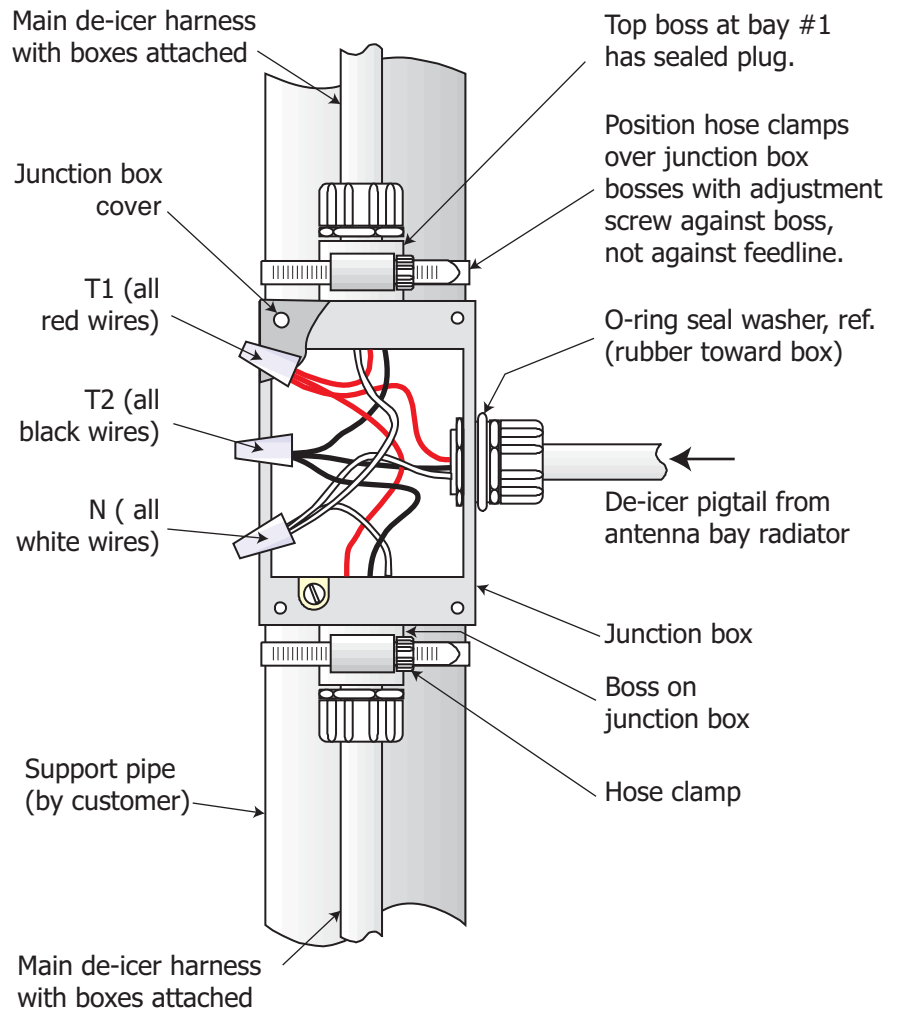
#### CAUTION

Shively Labs's de-icer control box, Model 94068, is designed for interior installation only.

## Installing the De-Icer System (if applicable)

Figure 8. Bay junction box installation

**NOTE**  
Wire nuts, cover with screws, and gaskets, and tie-wraps are provided with the de-icer cable harness.



## Installing the thermostat (if applicable)

If you are using a thermostat, you may locate and mount it at your discretion. We recommend mounting it as close as practical to the antenna.

### CAUTION

When testing the thermostat, be sure to have one or both thermostat leads disconnected before taking resistance readings. Otherwise, readings may be affected by other components.

- Before you connect the thermostat, measure the resistance across the thermostat circuit and from it to ground to ensure that there are no short-circuits. Thermostat readings should be as shown in [Table 3](#) on page 13.
- Mount the thermostat near the antenna and connect the thermostat leads to points S1 and S2 in the control box as shown in the schematic diagram, [Figure 7](#) on page 10.

Installing the De-Icer System (if applicable)

Table 3. Thermostat readings

Reading Location	Ambient Temperature	Resistance = 0 ohms (short circuit)	Resistance = infinite ohms (open circuit)
Leg-to-Ground	Any	Defective thermostat or shorted leads	OK
Leg-to-Leg	Above about 38° F (3.3° C)	Defective thermostat or shorted leads	OK
	Between about 10° and about 38° F (-6.7° to 3.3° C)	OK	Defective thermostat or broken leads
	Below about 10° F (-6.7° C)	Defective thermostat or shorted leads	OK



---

## Precautions

**CAUTION**

A high voltage standing wave ratio (VSWR) may indicate damaged transmission line or incorrectly assembled components. This condition will cause serious damage to your equipment when full power is applied.

---

## The antenna

### System sweep (recommended)

Shively Labs strongly recommends that you perform a system sweep of your transmission line and antenna while you have the installation crew on site. Should any problems arise later with your antenna, it will be extremely helpful to know what the system's characteristics were when it was new. We recommend you perform a system sweep after installation.

Many riggers can sweep your system after installation or recommend a contractor to perform it. Alternatively, Shively Labs makes available instructions for system sweep on our Web site, [www.shively.com](http://www.shively.com).

### Checkout

Before beginning checkout of the antenna system, be sure the following items have been done:

- The antenna system has been installed in accordance with this manual and the installation drawing.
- The de-icer system, if purchased, has been checked out in accordance with [Chapter 1](#).
- All radiators are operating and VSWR is low.
- System sweep data, if desired, have been recorded.

Check the system out as follows:

- a. Bring up RF power slowly and observe transmitter readings, stability, and general operation.
- b. Run at about half power for at least an hour, reading forward and reflected power, stability, etc.
- c. If the system is stable and seems to be operating properly, bring it up to full power. Take initial and periodic readings.
- d. Performance readings should not change, and there should be no evidence of heating in the antenna system.

## Operation

**CAUTION**

Don't exceed the rated power capacity of the antenna.

To obtain the best performance and dependability, read and follow the maintenance and troubleshooting recommendations in [Chapter 1](#) of this manual.

## The de-icer system

### CAUTION

Don't leave the de-icer on for extended periods when the weather is above 60° F (16° C); doing so may shorten the life of the heater element(s).

There is a generous margin of safety built into the de-icer system, and operation for prolonged periods below 60° F (16° C) will not harm the system. If icing conditions are expected, the heaters should be turned on in advance as a preventive measure. It is much easier to prevent ice formation than to remove a heavy coating.

## Shively Labs de-icer control system

If you have the Shively Labs de-icer control box and dual-setting thermostat, you have the choice of manual or automatic operation. There are three switch settings: AUTOMATIC, OFF, and MANUAL.

- When the switch is set to AUTOMATIC, the thermostat turns the heaters on and off according to the temperature.
- When the switch is set to OFF, the thermostat is overridden and the heaters will stay off no matter what the temperature.
- When the switch is set to MANUAL, the thermostat is overridden and the heaters will stay on no matter what the temperature.

## 5

## Maintenance and Troubleshooting

## Precautions

**WARNING**

Maintenance should be performed only by personnel experienced in RF systems and familiar with this equipment.

**WARNING**

Don't expose personnel to the medical hazards of intense radio frequency (RF) radiation. Whenever working on the tower in the area of the antenna, turn off all transmitters and lock them out so that they cannot be turned on accidentally.

## Maintenance log

Shively recommends that you keep a maintenance log, recording important performance parameters such as VSWR readings, de-icer current draw, maintenance done on the tower and the antenna, and severe weather events. This information can be valuable for identifying and solving problems. [Sample maintenance log](#) on page 20 shows a suggested log form.

## Physical inspection

The antenna system should operate for years if properly installed and maintained. Shively Labs recommends that as a minimum, the antenna should be physically inspected *at least once a year*.

In addition, inspect the antenna after severe weather events, and after climbers have been on the tower working on equipment above the antenna.

In addition to checking the general condition of the antenna and coax:

- Replace dented, broken or bent components.
- Inspect radomes for cracks and plugged drain holes.
- Re-tighten all hardware, hose clamps, and U-bolts to installation specifications.
- Inspect hose clamps and U-bolts carefully for signs of wear or fatigue caused by vibration or tower movement.

**Important**

Give your antenna a full inspection at least once per year!

## Paint

The radiators should never be painted (a coating of paint affects VSWR), and they need no surface protection, since they are made of copper and brass. This includes Teflon or other "ice-prevention" coatings.

It is not necessary to paint the feedline, although no harm will result from doing so.

## Radome removal and reinstallation

If it becomes necessary to remove a standard radome to gain access to the radiator, first remove the radiator as described above and bring it to the ground. If the antenna is to be operated without that radiator, be sure to observe all precautions.

On the ground, merely remove the ten bolts that secure the radome halves together, and the four additional 3/8" bolts securing the formed channel to the radome backplate, and lift the radome away from the radiator. Reinstall the radome and the radiator in the reverse order of removal. Re-seal the radome, using Dow Corning 732 Multipurpose RTV or equivalent.

---

### Return policy

When returning any material to the factory, be sure to call your salesman and obtain an authorized return (AR) number first. Use this number in all correspondence. This number helps us to track your returned item. It will expedite repair or replacement and prevent loss of your material.

---

### Troubleshooting

Contact Shively Labs if necessary to help find the cause of your problem. Outside of 8:00 AM to 5:00 PM Eastern Time, call (207) 329-5118.

### Internal arcing

Internal arcing is caused by physical damage to transmission line, feedline, or radiators. Damage may have been caused by ice, lightning, tower work, or many other factors. Replace damaged components.

### Broad spectrum RF noise

Any metal part in poor contact with the tower will constitute a non-linear junction and cast a broad-spectrum signal. This includes antennas, transmission line, mounts, ladders, and other electrical components. Check your antenna mounts and other tower components to be sure that the tower paint was scraped away during installation and that all mounting hardware is tight.

### High VSWR at startup or during operation

High VSWR (Voltage Standing Wave Ratio) is caused by any factor which changes the impedance match between the transmitter and the antenna system. Possible causes include:

- Wrong antenna for the application and frequency. Occasionally incorrect frequency information is provided to Shively or an antenna designed for another application is used.
- Defective cable connector in the cable harness.
- Incorrect assembly of the antenna (for example, an upside-down radiator; radiators out of sequence). The assembly must be exactly as shown in the installation drawing.
- Damaged radiator feed strap(s). The feed strap is the metal strip that extends back from the end seal. The length, angle, and straightness of the feed strap are critical to the radiator's performance.
- Components of other services in the RF field (later installations or broken components).
- Physical damage to the transmission line, feedline, or radiators. This may be from ice, lightning, tower work, or any other source. (Check with the tower owner to see whether anyone has been working on the tower.)
- Paint applied to the radiators, for example during a recent tower painting.
- De-icer failure may have allowed ice buildup or melted the solder from the domes, spacers, and bushings at the ends of the vertical arms.

### Change in coverage

Changes in broadcast coverage may be caused by the same factors that produce VSWR changes. If coverage seems to have changed, look for VSWR changes and use [High VSWR at startup or during operation](#) on page 18 for troubleshooting.



## Maintenance and Troubleshooting

It is important to recognize, however, that apparent changes in coverage may be due to subjective factors or faults of the receiving equipment. Before doing more than checking the VSWR, be sure that an actual coverage change has occurred.

Sample maintenance  
log

DATE	DE-ICER CURRENT (or resistance)			VSWR	OBSERVATIONS Visual Inspection of Antenna, Obstruction Lighting; Hardware Checked; Tower Repairs Accomplished; etc.
	BLACK (b-neut)	NEUT (red-bl)	RED (r-neut)		