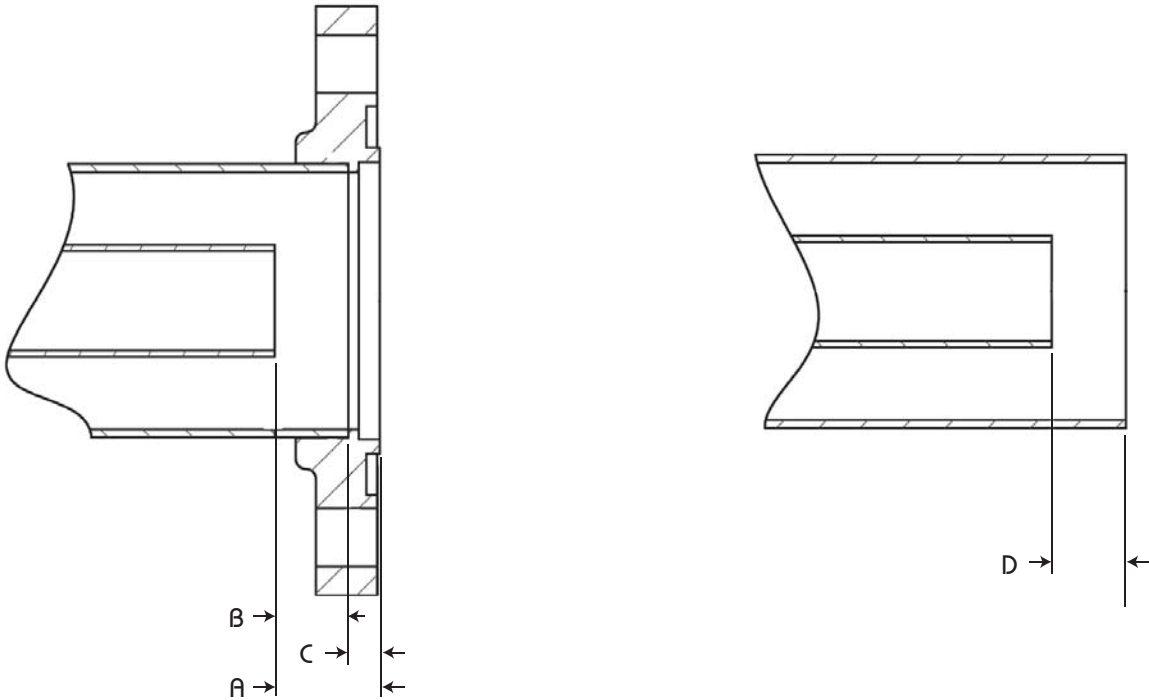


Standard Coaxial Line Cutback Dimensions



Nominal Line Size	7/8" 50-Ω	1-5/8" 50-Ω	3-1/8" 50-Ω	4-1/16" 50-Ω	6-1/8" 50-Ω
A	0.500" +0 -0.03"	0.625" +0 -0.03"	0.937" +0 -0.03"	1.375" +0 -0.03"	1.343" +0 -0.03"
B	0.344" ± 0.02"	0.438" ± 0.02"	0.687" ± 0.02"	1.125" ± 0.03"	1.063" ± 0.03"
C	0.156"	0.187"	0.25"	0.25"	0.28"
D	0.344" ± 0.02"	0.438" ± 0.02"	0.687" ± 0.02"	1.125" ± 0.03"	1.063" ± 0.03"

Document No. [tb-coax cutback \(150319\)](#)

A Division of Howell Laboratories, Inc., P. O. Box 389, Bridgton, Maine 04009 USA
 (207) 647-3327 1-888-SHIVELY Fax: (207)647-8273
 An Employee-Owned Company

www.shively.com
 sales@shively.com
 Certified to ISO-9001